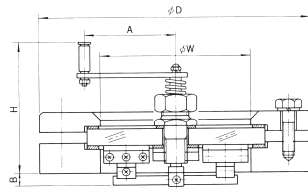
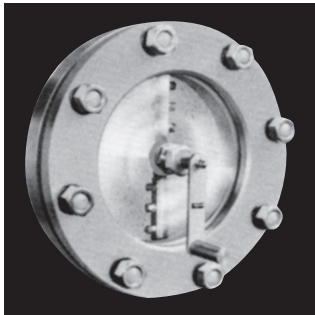


# DAIDO

# WIPER

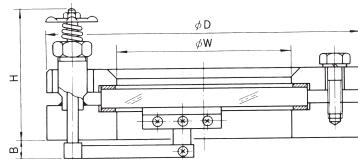
## WELD ON GAUGE with WIPER G2-B TYPE



unit:mm

TYPE	$\phi D$	$\phi W$	A	H	B
G2-B-W100	195	102	70	155	16
G2-B-W140	250	130	70	160	13
G2-B-W170	280	160	90	160	10
G2-B-W220	330	200	95	160	10
G2-B-W270	400	250	100	170	6
G2-B-W320	445	300	120	170	6

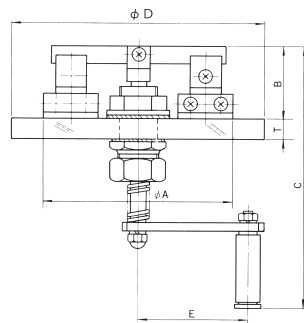
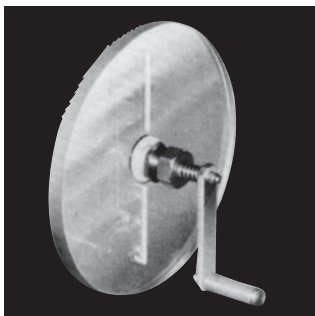
## WELD ON GAUGE with WIPER G2-A TYPE



unit:mm

TYPE	$\phi D$	$\phi W$	H	B
G2-A-W100	195	102	130	20
G2-A-W140	250	130	135	20
G2-A-W170	280	160	140	20
G2-A-W220	330	200	140	25
G2-A-W270	400	250	170	25
G2-A-W320	445	300	175	25

## GLASS with WIPER



unit:mm

TYPE	$\phi A$	B	C	$\phi D$	E	T
W100	96	43	172	130	14	14
W140	130	43	172	160	14	14
W170	160	43	172	190	16	16
W220	200	43	172	240	18	18
W270	260	43	177	300	20	20
W320	310	43	177	350	22	22