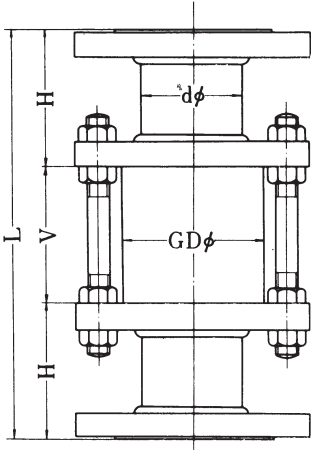
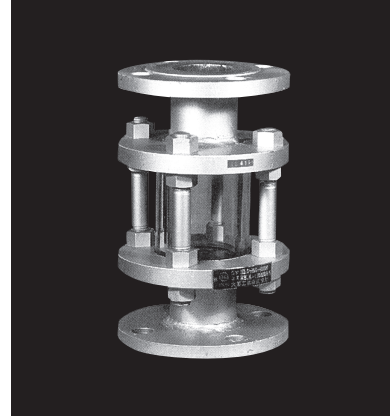


# DAIDO

## LANTERN TYPE

### TYPE S5



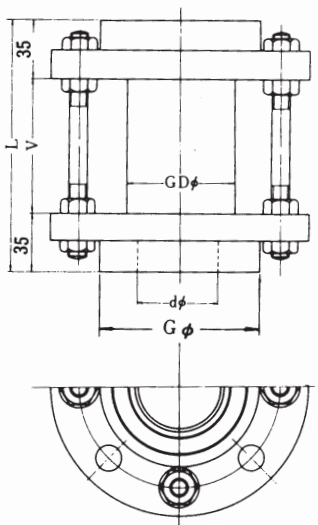
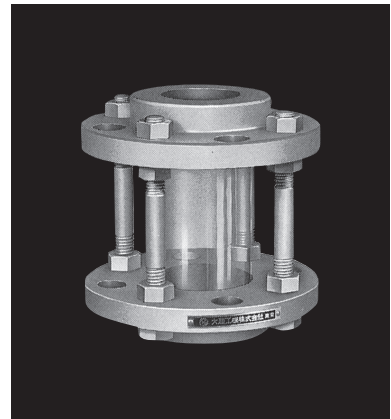
#### DIMENSION

unit:mm

NOMINAL DIA	TYPE	FACE TO FACE	WINDOW		H	
			TYPE:SN-OY,SN-OV(JIS10K,ASME150Lb)	GDφ		
15A	1/2"	S5-OY 15	220	80	35	70
20	3/4"	S5-OY 20	220	80	40	70
25	1"	S5-OY 25	220	80	45	70
40	1-1/2"	S5-OY 40	220	80	60	70
50	2"	S5-OY 50	240	80	70	80
65	2-1/2"	S5-OY 65	240	80	85	80
80	3"	S5-OY 80	240	80	100	80
100	4"	S5-OY 100	260	80	120	90
125	5"	S5-OY 125	280	80	150	100
150	6"	S5-OY 150	280	80	180	100
200	8"	S5-OY 200	280	80	240	100
250	10"	S5-OY 250	300	80	290	110

Flange connection:JIS10K or ASME150Lb

### TYPE S6



#### DIMENSION

unit:mm

NOMINAL DIA	TYPE	FACE TO FACE	WINDOW		dφ	H
			L	V		
20A	3/4"	S6-OY 20	150	80	40	50
25	1"	S6-OY 25	150	80	45	60
40	1-1/2"	S6-OY 40	150	80	60	75
50	2"	S6-OY 50	150	80	70	90
65	2-1/2"	S6-OY 65	150	80	85	110
80	3"	S6-OY 80	150	80	100	120
100	4"	S6-OY 100	150	80	120	145
125	5"	S6-OY 125	150	80	150	175
150	6"	S6-OY 150	150	80	180	210
200	8"	S6-OY 200	150	80	240	260
250	10"	S6-OY 250	150	80	290	325

DAIDO