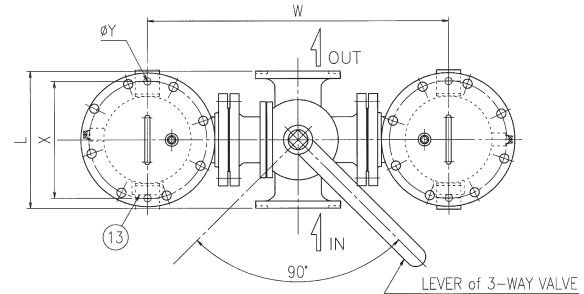
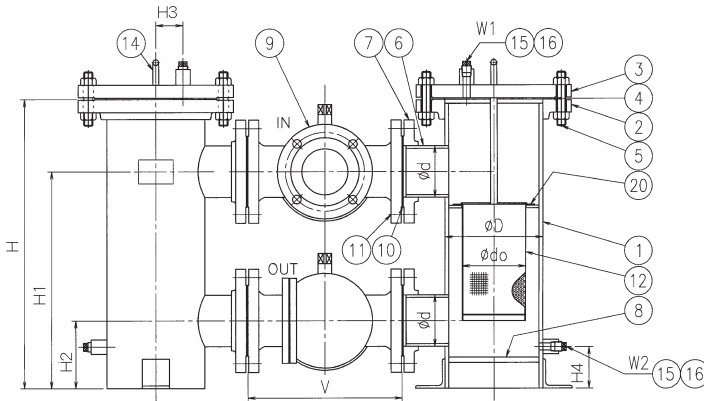
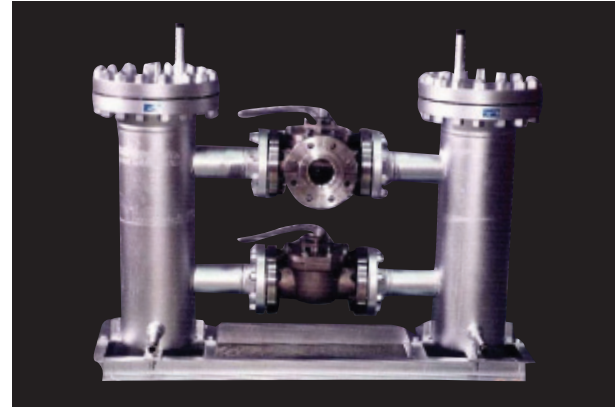


# DAIDO

## B2W TYPE

### DUPLEX STRAINERS

Duplex B2W type strainers are used for piping to operate continuously where single strainer cannot be used as the flow needs to be interrupted to clean the element.



#### DIMENSION

unit:mm

CONN.SIZE $\phi d$	L	D (O.D.)	W	H	V	H <sub>1</sub>	H <sub>2</sub>	H <sub>3</sub>	H <sub>4</sub>	W1	W2	ELEMENT		LEG		WEIGHT(g) 150Lb	
												$d_s$	I	X	$\phi Y$		BOLTSIZE
25A 1"	170	2 1/2"	360	400	170	300	100	25	70	3/8"	3/8"	40	120	137	14	M12	44
40A 1-1/2"	200	4"	470	440	200	320	110	30	75	3/8"	1/2"	70	130	175	14	M12	70
50A 2"	230	4"	500	480	230	360	130	30	75	3/8"	1/2"	70	130	175	14	M12	83
65A 2-1/2"	260	5"	600	530	260	400	140	35	80	3/8"	1/2"	90	170	200	14	M12	117
80A 3"	280	6"	630	560	280	420	140	60	85	1/2"	1/2"	110	200	240	14	M12	150
100A 4"	340	8"	750	640	340	480	150	60	90	1/2"	1/2"	140	250	290	18	M16	245
125A 5"	370	10"	860	780	370	600	170	80	90	1/2"	3/4"	190	305	340	18	M16	372
150A 6"	430	10"	940	840	430	650	190	80	90	1/2"	3/4"	190	365	340	18	M16	435
200A 8"	520	12"	1150	1050	520	820	240	100	100	1/2"	3/4"	240	465	390	18	M16	690

NO.	NAME	NO.	NAME
1	Body pipe	9	Valve(3way)
2	Body flange	10	Line gasket
3	Cover flange	11	Line bolt / nut
4	Gasket	12	Element
5	Bolt / nut	13	Name plate
6	Line pipe	14	Handle
7	Line flange	15	Drain / vent boss
8	Bottom plate	16	Drain / vent plug