

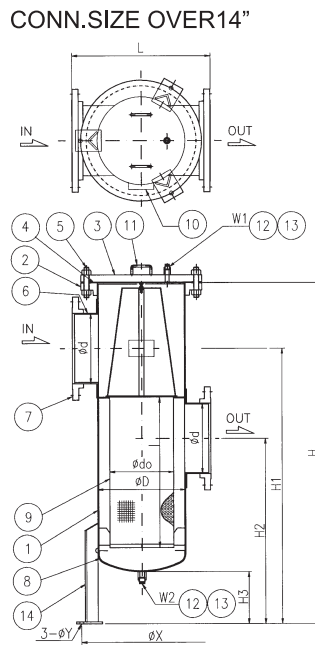
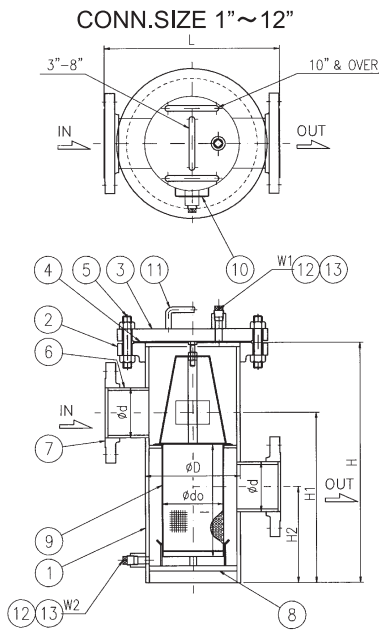
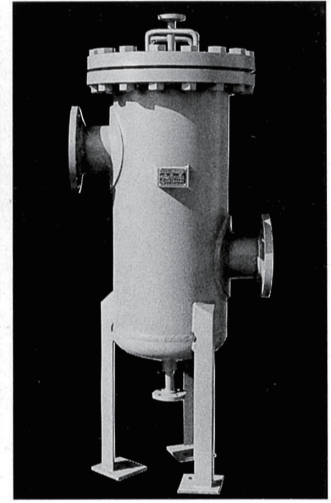
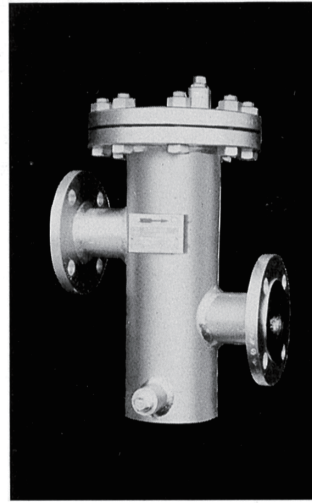
# DAIDO

## B2 TYPE

### BUCKET STRAINERS

Bucket strainers are mainly installed in horizontal piping. Since the bucket strainer elements housed in the bodies can be taken out from the tops, the debris caught by the elements can be taken outside easily. The design of bucket strainers can be arranged to suit larger piping.

Filtration of B2 type can be designed finer than B1 type.



NO.	NAME
1	Body pipe
2	Body flange
3	Cover flange
4	Gasket
5	Bolt / nut
6	Line pipe
7	Line flange
8	Bottom plate
9	Element
10	Name plate
11	Handle
12	Drain / vent boss
13	Drain / vent plug
14	Leg

#### DIMENSION

unit:mm

CONN.SIZE		L		D	H	H <sub>1</sub>	H <sub>2</sub>	ELEMENT		VENT/ DRAIN		WEIGHT(kg)	
φ d	1"	150Lb	300Lb					φ d <sub>0</sub>	ℓ	W <sub>1</sub>	W <sub>2</sub>	150Lb	300Lb
25A	1"	180	260	3"	280	180	110	40	120	3/8"	3/8"	13	19
32A	1 1/4"	200	260	3"	285	180	110	40	120	3/8"	3/8"	14	21
40A	1 1/2"	260	340	4"	340	220	120	70	130	3/8"	1/2"	25	38
50A	2"	260	340	4"	340	220	120	70	130	3/8"	1/2"	27	39
65A	2 1/2"	330	390	5"	400	270	160	90	170	3/8"	1/2"	38	57
80A	3"	340	430	6"	460	320	180	110	200	1/2"	1/2"	49	74
100A	4"	400	500	8"	550	390	220	140	250	1/2"	1/2"	79	121
125A	5"	480	580	10"	630	450	260	190	305	1/2"	3/4"	122	187
150A	6"	500	600	10"	720	530	310	190	365	1/2"	3/4"	131	201
200A	8"	560	680	12"	900	670	390	240	465	1/2"	3/4"	207	308
250A	10"	610	760	14"	1010	740	420	270	500	1/2"	1"	275	422
300A	12"	700	840	16"	1170	850	450	300	550	1/2"	1"	396	571

#### DIMENSION

unit:mm

CONN.SIZE		L		D	H	H <sub>1</sub>	H <sub>2</sub>	H <sub>3</sub>	ELEMENT		VENT/ DRAIN	L E G			WEIGHT (kg)
φ d	150Lb	300Lb	φ d <sub>0</sub>						ℓ	W <sub>1</sub> /W <sub>2</sub>		φ X	φ Y	BOLT SIZE	
350A	14"	750	900	18"	1750	1400	950	300	330	750	1"	650	23	M20	553
400A	16"	800	980	20"	1970	1590	1070	300	370	870	1"	710	23	M20	719
450A	18"	900	1050	22"	2190	1770	1170	300	420	1000	1"	740	23	M20	908
500A	20"	1000	1100	24"	2380	1930	1280	300	460	1150	1"	820	27	M24	1145

DAIDO